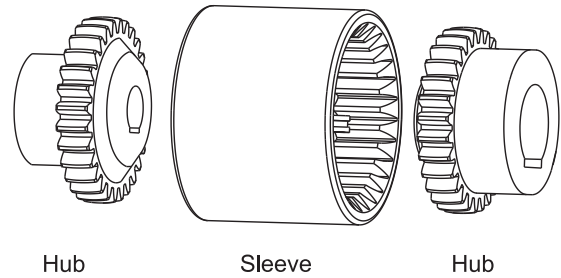
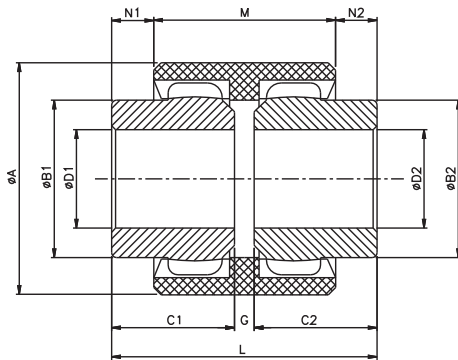
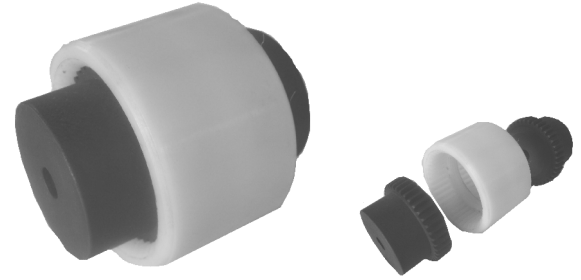


- Double cardanic curve tooth gear coupling
- Operating temp.. range -25° C to +100° C
- Accommodated axial, parallel and angular shaft misalignment
- Suitable for vertical and horizontal application
- Simple & easy to assemble - Axial Plug In
- Low weight & low inertia
- Maintenance free due to combination of steel & nylon
- Useful for all applications of general engineering & hydraulics

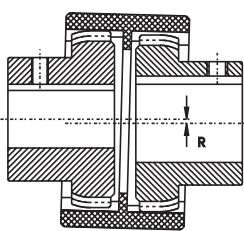
### RPG Coupling



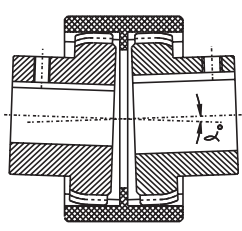
#### TECHNICAL DATA

Coupling Size	Rating at 100 rpm		Rated Torque (N-m)	Max. Speed rpm	Max. Bore (∅D1, ∅D2) mm	∅A	∅B1, ∅B2	C1, C2	G	M	N1, N2	Wt. in kg.	M.I. (WR <sup>2</sup> ) in kgm <sup>2</sup>	Maximum Misalignment		
	KW	HP												Axial ± mm	Radial ± mm	Angular #
RPG-14	0.10	0.13	10	14000	15	40	25	23	4	37	6.5	0.10	0.26	1	0.3	±1°
RPG-19	0.17	0.22	16	11800	20	48	32	25	4	37	8.5	0.23	0.47	1	0.3	±1°
RPG-24	0.21	0.28	20	10600	24	52	36	26	4	41	7.5	0.32	0.93	1	0.4	±1°
RPG-28	0.47	0.63	45	8500	28	66	44	40	4	46	19	0.74	3.09	1	0.4	±1°
RPG-32	0.63	0.84	60	7500	32	76	50	40	4	48	18	0.95	5.48	1	0.4	±1°
RPG-38	0.84	1.12	80	6700	38	83	58	40	4	48	18	1.23	8.68	1	0.4	±1°
RPG-42	1.00	1.34	100	6000	42	92	65	42	4	50	19	1.5	14.28	1	0.4	±1°
RPG-48	1.50	2.01	140	5600	48	95	68	50	4	50	27	1.81	18.34	1	0.4	±1°
RPG-65	4.00	5.36	380	4000	65	132	96	55	4	68	23	4.35	84.80	1	0.4	±1°

# ON EACH HUB



RADIAL MISALIGNMENT (R)



ANGULAR MISALIGNMENT (α)

#### GUIDELINES FOR ASSEMBLY

Both the hubs must be assembled in such a way that they are flush with shaft ends. Maintain gap 'G' as mentioned in the following table. If it is difficult to measure dimension 'G', use overall length to determine the same.

The maximum speed and maximum misalignment cannot be used at the same time: the presence of misalignment reduces the maximum speed. With constant torque and well-aligned shafts, 'Rathi' polygear couplings can be used upto the maximum torque.

It is important that the sleeve slides easily in the axial direction. Accurate alignment of shafts improves the life of this coupling.

Order Sequence	Coupling Size	Finish Bore (Driver)	Finish Bore (Driven)
Example	RPG-28	∅ 20	∅ 25

All dimensions are in mm unless otherwise specified.

For vertical installation contact RATHI.

In view of our constant endeavour to improve quality of our products, we reserve the right to alter or change specifications without prior notice.

This document is the intellectual property of Rathi Transpower Pvt. Ltd. and subject to copyright.



#### Rathi Transpower Pvt Ltd

Gaia Apex, S. No. 33/2D, Viman Nagar  
 Pune 411 014.(INDIA)  
 Phone : 91-20-30517201  
 Fax : 91-20-30517212  
 E-mail : enquiry@rathigroup.com  
 Website : www.rathicouplings.com

Distributor